

OMHERO MASTER



GENERAL INFO

Product description

The devices of the PRY-CAM Home family are part of a monitoring system for low voltage applications. The devices are designed to perform verification tests of the electrical system and to measure the electrical values at the point of electrical connection and make them available via the cloud.

This product does not constitute an active electricity meter within the meaning of the European Directive 2004/22 / EC (MID). It cannot be used as a counter for official billing. The data collected may differ from the data of the main energy meter used for the counts.

Requires a dedicated smartphone APP

Generic name PCH-0001

CERTIFICATION AND DESIGN STANDARDS

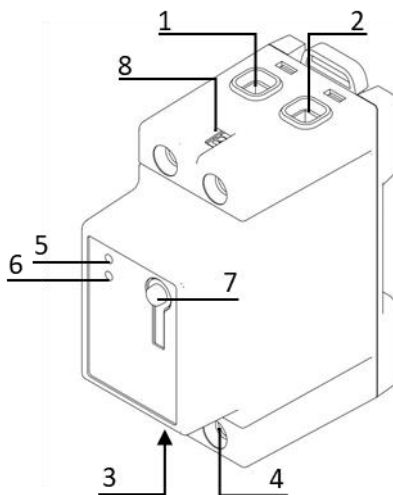
CE RED KEMA KEUR

Service	Article of Directive 2014/53/EU	EU Standards
RF Exposure	Article 3.1 (a): Health and Safety of the User	EN 62311:2008
Safety		EN 62368-1 + IEC 61010-1
EMC	Article 3.1 (b): Electromagnetic Compatibility	EN 301 489-1 V2.2.3: Common Part Draft EN 301 489-3 V2.1.1: LoRa Draft EN 301 489-17 V3.2.0: WiFi @2.4 GHz Draft EN 301 489-52 V1.1.0: NB-IoT
RF	Article 3.2 : Effective use of spectrum allocated	EN 300 328 V2.2.2: Wi-Fi 802.11b/g/n 1x1 (n20, n40) EN 301 908-1 V11.1.1: NB-IoT EN 300 220-1 V3.1.1 + EN 300 220-2 V3.1.1: LoRa

APPLICATION PROPERTIES

Nominal Voltage	110 - 230 V AC
Frequency	50-60 Hz
Consumption	1.5 W
Max Current	43 A
Weight	180 gr
Dimension (L x H x W)	16 x 8 x 17.5 cm
Storage Temperature	-10°C to +60°C
Operating Temperature	0°C to 40°C
Max Altitude	2000 m
Overvoltage category	III
Degree of protection	IP20
Pollution Degree	2
Humidity (non-condensing)	<75% rel.

MECHANICAL DATA



1. Live in
2. Neutral in
3. Live out
4. Neutral out
5. STATUS LED
6. COM LED
7. Button
8. Earth connection